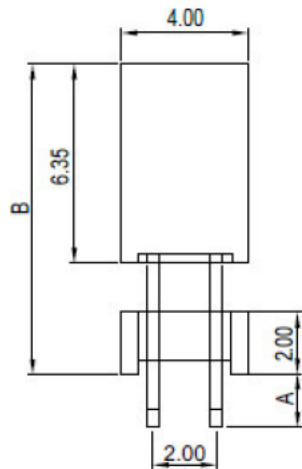
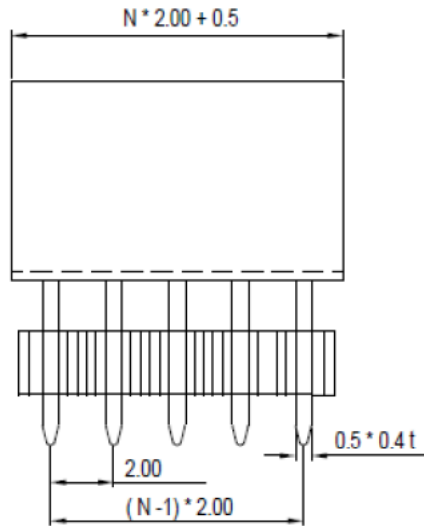
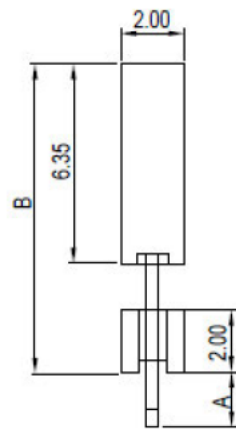


RECOMMENED PCB LAYOUT



Double Rows  
SM C02 6834 XX BD



Single Row  
SM C02 6834 XX AD

Notes:

1. Electrical Characteristics:

- 1.1 Contact Resistance: 20mΩ Max
- 1.2 Dielectric Withstanding Voltage: 600V AC(rms) for 1 Minute
- 1.3 Insulation Resistance: 1000mΩ Min
- 1.4 Current Rating: 1.5A
- 1.5 Voltage Rating: 250V AC rms

2. Environment Characteristics:

- 2.1 Temperature: -40°C ~ +105°C

3. Materials:

- 3.1 Contact Materials: Copper Alloy
- 3.2 Contact Plating: Gold plate
- 3.3 Insulator Materials: PBT, Black, UL94V-0 or High temperature Materials like PA6T/PA9T

TOLERANCE		<b>SCHMID-M</b>
SCALE	UNIT mm	
DRAW Johnson	DATE 11.5.2021	TITLE
CHECK	REV	SM C02 6834 XX AD; A= ;B= SM C02 6834 XX BD; A= ;B=
		DESCRIPTION
		Female Header; RM=2,0mm; Straight; H=6,35mm; Stack; Stamping type